

LED AMPLIFIER
PRODUCT SERIES DATASHEET



LED Amplifier



88Light LED Amplifiers have been widely applied in household lighting, business center, supermarket, office, hospital, chain operation store, restaurant, hotel, interior decoration, wedding photography, large exhibition engineering and so on. As its easy installation and can make a variety of changes in effect with the LED lamps.

Applications:



PRODUCT FEATURES

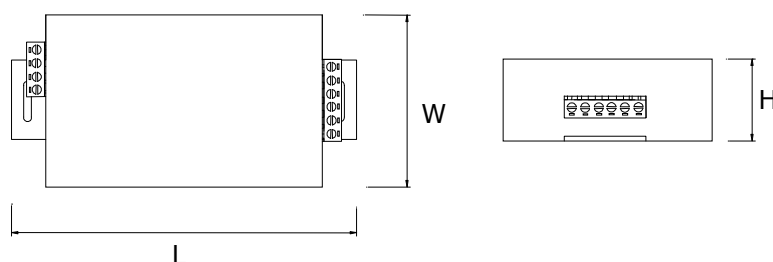
- Suitable for kinds of LED lights.
- Wide range of input voltages DC12V to DC24V.
- Three/Four channels for RGB/RGBW lights.
- Handy installation (screw fixed or 3M double side adhesive tape options).
- Environmentally friendly-fully recyclable, no mercury or other hazardous materials.
- CE & RoHS, FCC approved friendly to environment.



LED AMPLIFIER
PRODUCT SERIES DATASHEET



PRODUCT DIAGRAM



Product Name	L [mm]	W [mm]	H [mm]
88L-LSAMP-T85	105	65	25
88L-LSAMP-T86	81	65	25

TECHNICAL DATA

Electrical characteristics:

Product Name	Input Voltage	Output Voltage	Output Power [W:max]	Output Current [A:max]	Remote style	Material	IP Grade
88L-LSAMP-T85	DC12-24V	DC12-24V	288	12	---	Aluminum	IP22
88L-LSAMP-T86	DC12-24V	DC12-24V	384	16	---	Aluminum	IP22

Note 1: Absolute ratings @ 25°C.

Note 2: The max output power is tested by input voltage 24V, It should be half when input voltage 12V, but the max output current are the same.

Electrical characteristics:

Product Name	Matched remote control	Effective distance [m:max]	Function	Number of Channels	Signal	Plug	Connector
88L-LSAMP-T85	---	---	Amplifier	3	PWM	Screws	Screws
88L-LSAMP-T86	---	---	Amplifier	4	PWM	Screws	Screws

Note1: Absolute ratings @ 25°C.

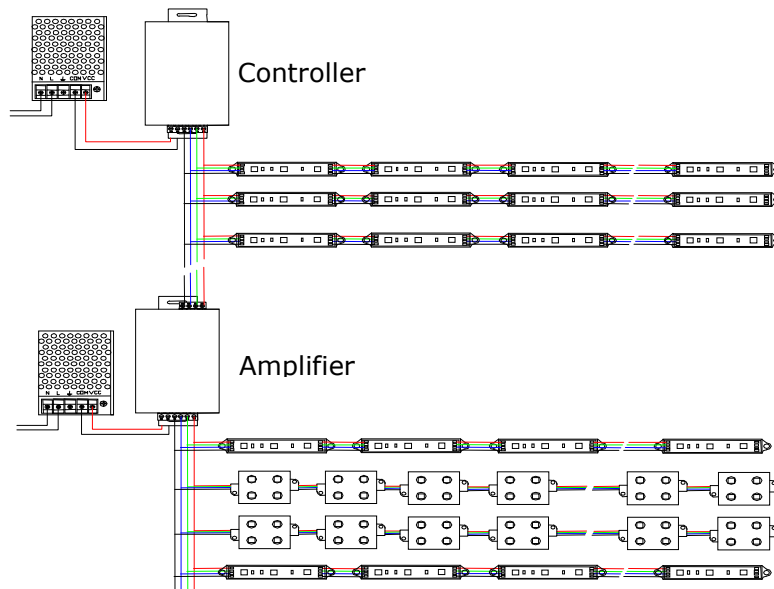
Note2: more functions information about the single product, please read Instructions in the products box.

LED AMPLIFIER
PRODUCT SERIES DATASHEET



PRODUCT INSTALLATION:

Precaution: Switch off power before doing any works.



SAFETY

1. **Always** consult a qualified, licensed electrician prior to the installation of this product.
2. **Always** ensure that all components are joined properly before they are installed.
3. LED Controller Amplifier or Dimmer is not waterproof, please don't use under water.
4. Each positive pole connected to a positive pole and each negative pole connected to a negative pole, if not, the Controller Amplifier or Dimmer will not work or damaged, And the output poles can't be paralleled together, or the Amplifier or Controller will be damaged.
5. Check the poles and try again.
6. Each controller amplifier or dimmer have the max current, please check the total current before connected to the power, if the total current exceeds the maximum current, then the device will be a lot of heat, and even burned.

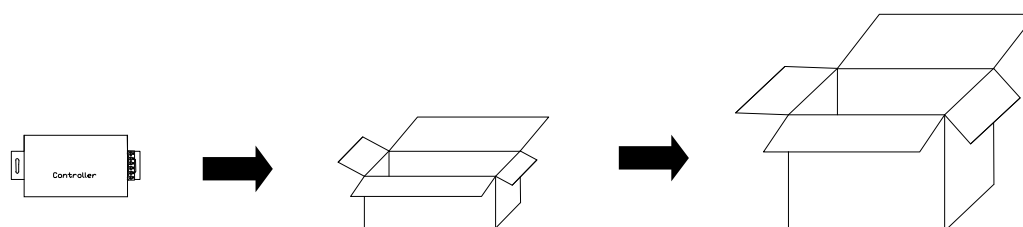
LED AMPLIFIER PRODUCT SERIES DATASHEET



SAFETY

- 7. Ensure everything is connected properly before connecting to the power supply.
- 8. If any question about the installation, consult a competent electrical technician.

PACKING:



Product Name	Size of Carton (L×W×H) [mm]	Qty/Carton [pcs]	Gross Weight [Kg]	Size of box(L×W×H) [mm]	Unit Weight [g]
88L-LSAMP-T85	240×360×19	50	6.5	115×70×35	99
88L-LSAMP-T86	240×360×19	50	6.5	115×70×35	99

Note1: Packing for informational purposes only.

OTHER 88Light PRODUCTS:

For more information about 88Light products, or to use our online energy saving calculation software please visit our website

www.88light.com

DISCLAIMER:

88Light reserves the right to modify the design of our products as part of the company's program of continuous improvement. 88Light cannot guarantee to match existing installed product for subsequent orders or replace the product exactly to match the product you are replacing in product appearance, color, or brightness. Specifications are subject to change without notice.