

# LED CONTROLLER PRODUCT SERIES DATASHEET



## LED Controller

88Light LED Controllers have been widely applied in household lighting, business center, supermarket, office, hospital, chain operation store, restaurant, hotel, interior decoration, wedding photography, large exhibition engineering and so on. As its easy installation and can make a variety of changes in effect with the LED lamps.



### Applications:



## PRODUCT FEATURES

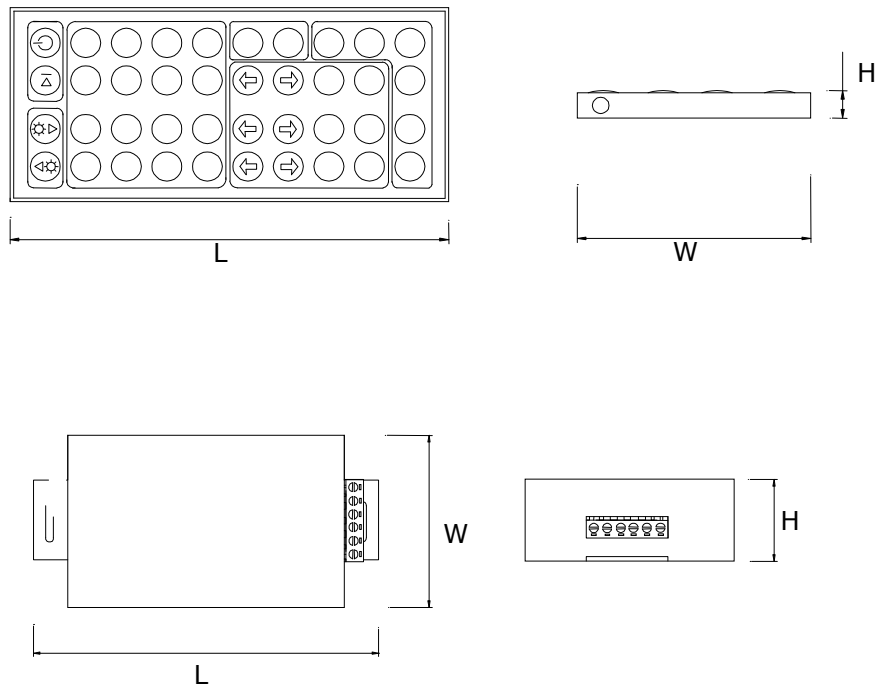
- IR remote controller or RF remote controller options.
- Wide range of Input voltage dc12V to dc24V options.
- Kinds of variety of changes in effect.
- Handy installation (screw fixed or 3M double side adhesive tape options).
- Environmentally friendly-fully recyclable, no mercury or other hazardous materials.
- CE & RoHS, FCC approved friendly to environment.



LED CONTROLLER  
PRODUCT SERIES DATASHEET



PRODUCT DIAGRAM



Product Name	L [mm]	W [mm]	H [mm]
44Key Remote controller	125	56	8
24Key Remote controller	85	56	8
20Key Remote controller	85	56	8
88L-LSCONT-T88-IR24	128	64	24
88L-LSCONT-T88-IR44	128	64	24
88L-LSCONT-T88-RF20	128	64	24

LED CONTROLLER  
PRODUCT SERIES DATASHEET



**TECHNICAL DATA**

**Electrical characteristics1:**

Product Name	Input Voltage [V]	Output Voltage [V]	Output Power [W:max]	Output Current [A:max]	Remote style	Material	IP Grade
88L-LSCONT-T88-IR44	dc12-24	dc12-24	288	12	IR	Aluminum	IP22
88L-LSCONT-T88-IR24	dc12-24	dc12-24	288	12	IR	Aluminum	IP22
88L-LSCONT-T88-RF20	dc12-24	dc12-24	288	12	RF	Aluminum	IP22

Note 1: Absolute ratings @ 25°C.

Note 2: The max output power is tested by input voltage 24V; it should be half when input voltage 12V, but the max output current are the same.

**Electrical characteristics2:**

Product Name	Matched remote control	Effective distance [m:max]	Function	Number of Channels	Signal	Plug	Connector
88L-LSCONT-T88-IR44	44Key	8	Controller	3	PWM	Screws	Screws
88L-LSCONT-T88-IR24	24Key	15	Controller	3	PWM	Screws	Screws
88L-LSCONT-T88-RF20	20Key	15	Controller	3	PWM	Screws	Screws

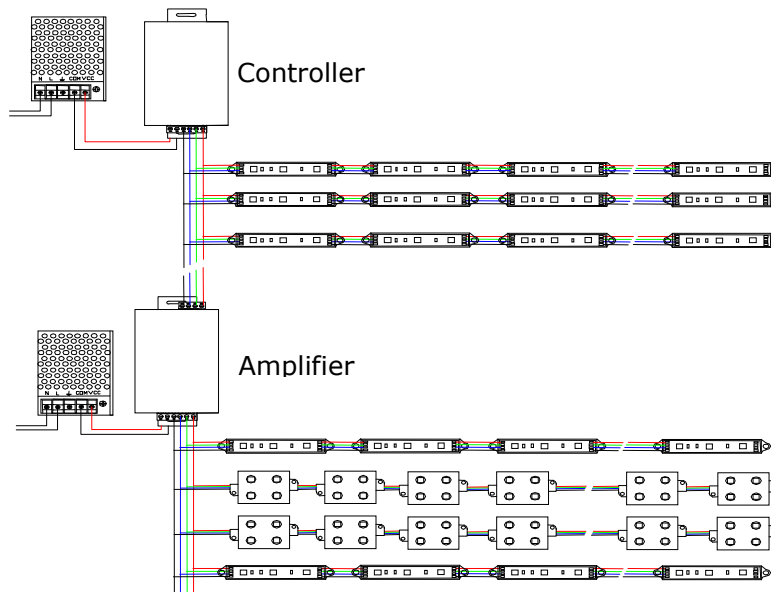
Note1: Absolute ratings @ 25°C.

Note2: more functions information about the single product, please read Instructions in the products box.

PRODUCT INSTALLATION:

---

Precaution: Switch off power before doing any works.



SAFETY

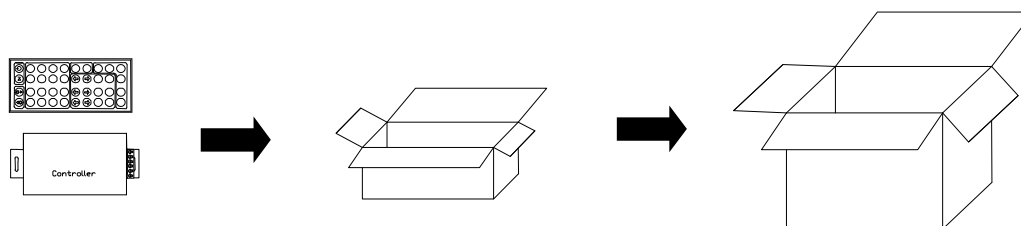
---

1. **Always** consult a qualified, licensed electrician prior to the installation of this product.
2. **Always** ensure that all components are joined properly before they are installed.
3. LED Controller Amplifier or Dimmer is not waterproof, please don't use under water.
4. Each positive pole connected to a positive pole and each negative pole connected to a negative pole, if not, the Controller Amplifier or Dimmer will not work or damaged, And the output poles can't be paralleled together, or the Amplifier or Controller will be damaged.
5. Check the poles and try again.
6. Each controller amplifier or dimmer have the max current, please check the total current before connected to the power, if the total current exceeds the maximum current, then the device will be a lot of heat, and even burned.
7. Ensure everything is connected properly before connecting to the power supply.
8. If any question about the installation, consult a competent electrical technician.

LED CONTROLLER  
PRODUCT SERIES DATASHEET



PACKING:



Product Name	Size of Carton (L×W×H) [mm]	Qty/Carton [pcs]	Gross Weight [Kg]	Size of box(L×W×H) [mm]	Unit Weight [g]
88L-LSCONT-T88-IR44	300×420×290	50	10.5	137×80×54	185
88L-LSCONT-T88-IR24	340×490×260	50	10.5	160×95×51	185
88L-LSCONT-T88-RF20	340×490×260	50	10.5	160×95×51	185

Note1: Packing for informational purposes only.

OTHER 88Light PRODUCTS:

For more information about 88Light products, or to use our online energy saving calculation software please visit our website

[www.88light.com](http://www.88light.com)

DISCLAIMER:

88Light reserves the right to modify the design of our products as part of the company’s program of continuous improvement. 88Light cannot guarantee to match existing installed product for subsequent orders or replace the product exactly to match the product you are replacing in product appearance, color, or brightness. Specifications are subject to change without notice.