

LED MODULES LARGE BEAMANGLE SERIES
PRODUCT SERIES DATASHEET

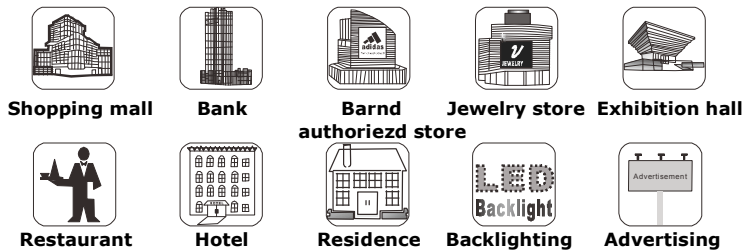


LED Modules



88Light LED modules comes with SMD Chip, high brightness and excellent color rendering index, makes them ideal for any kinds of advertisement and cove lighting applications. We use high quality LED as the light source and a unique circuit control design so that luminous efficiency is significantly higher than that of similar products. When compared with conventional neon lights, 88Light LED modules can save up to 80% energy.

Applications:



PRODUCT FEATURES

- Light Efficiency: High Brightness chip; Super bright.
- Up to 80% energy saving over fluorescent tubes.
- Small, flexible & cuttable.
- Easy to form any shape.
- Handy installation (screw fixed or 3M double side adhesive tape options).
- Waterproof, IP65.
- Long Lifespan.
- Environmentally friendly-fully recyclable, no mercury or other hazardous materials.
- CE & RoHS approved friendly to environment.
- Dimmable, all 88Light LED modules are available dimmable and non-dimmable.



LED MODULES LARGE BEAMANGLE SERIES
PRODUCT SERIES DATASHEET



PRODUCT DIAGRAM

Product Name ^{1,2}	L [m]	W [mm]	H [mm]
88L-MOD-2835-036W-160D	15.5	10.5	7.7
88L-MOD-2835-05W-160D	27	9.6	8.2
88L-MOD-3030-2W-170D	56	30	7.3
88L-MOD-2835-2W-160D	86	18	7.2
88L-MOD-2835-38W-160D	150	19	5

Note 1: Absolute ratings @ 25°C.

Note 2: Dimensions doesn't change with different LEDs.

TECHNICAL DATA

Electrical characteristics ^{1, 3, 4}:

Product Name	Operating Voltage	Shell Material	Power [W/Pcs]	LED Qty	Modules Qty/ Chain	Dimmable [Y/N]	IP Grade
88L-MOD-2835-036W	dc12v	Plastic	0.36	1Pcs 2835	20Pcs	N	IP65
88L-MOD-2835-05W	dc12v	Plastic	0.5	3Pcs 2835	20Pcs	N	IP65
88L-MOD-3030-2W	dc12v	Plastic	2	1Pcs Cree	20Pcs	N	IP65
88L-MOD-2835-2W	dc24V/12v	Plastic	1.8/1.5	3Pcs 2835	20Pcs	N	IP65
88L-MOD-2835-38W	Ac220v	Plastic	3.8	6Pcs 2835	20Pcs	N	IP65

Note 1: Absolute ratings @ 25°C.

Note 3: Dimmable or Non-dimmable modules are available upon controllers.

Note 4: Operating Temperature -20°C~+50°C, Store Temperature -20°C~60°C.

LED MODULES LARGE BEAMANGLE SERIES
PRODUCT SERIES DATASHEET



TECHNICAL DATA

Optical Characteristics ^{1,5}:

Product Name	Color	Color Temperature [°K]	Luminous Flux ⁵ [lm/pcs]	CRI [Ra]	Beam angle [°]
88L-MOD-2835-036W-CW	Cool white	6500K	26	80	160
88L-MOD-2835-036W-NW	Nature white	4000K	25	80	160
88L-MOD-2835-036W-WW	Warm white	3000K	24	80	160
88L-MOD-2835-05W-CW	Cool white	6500K	70	80	160
88L-MOD-2835-05W-NW	Nature white	4000K	65	80	160
88L-MOD-2835-05W-WW	Warm white	3000K	60	80	160
88L-MOD-3030-2W-CW	Cool white	6500K	170	80	170
88L-MOD-3030-2W-NW	Nature white	4000K	160	80	170
88L-MOD-3030-2W-WW	Warm white	3000K	150	80	170
88L-MOD-2835-2W-CW	Cool white	6500K	160	80	170
88L-MOD-2835-2W-NW	Nature white	4000K	140	80	170
88L-MOD-2835-2W-WW	Warm white	3000K	120	80	170
88L-MOD-2835-38W-CW	Cool white	6500K	450	80	160
88L-MOD-2835-38W-NW	Nature white	4000K	400	80	160
88L-MOD-2835-38W-WW	Warm white	3000K	350	80	160

Note 1: Absolute ratings @ 25°C.

Note 5: Tolerance of measurement of luminous intensity±6%.

LED MODULES LARGE BEAM ANGLE SERIES
PRODUCT SERIES DATASHEET

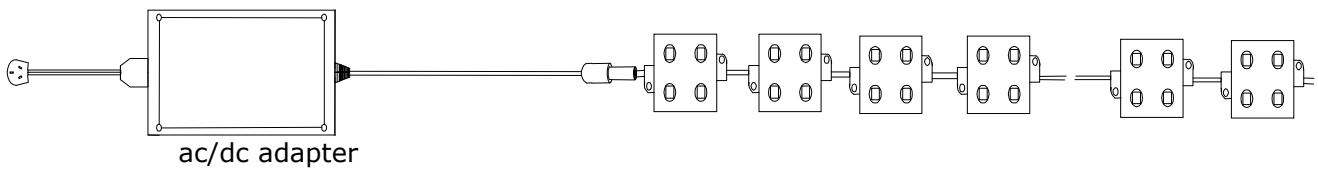


PRODUCT INSTALLATION:⁶

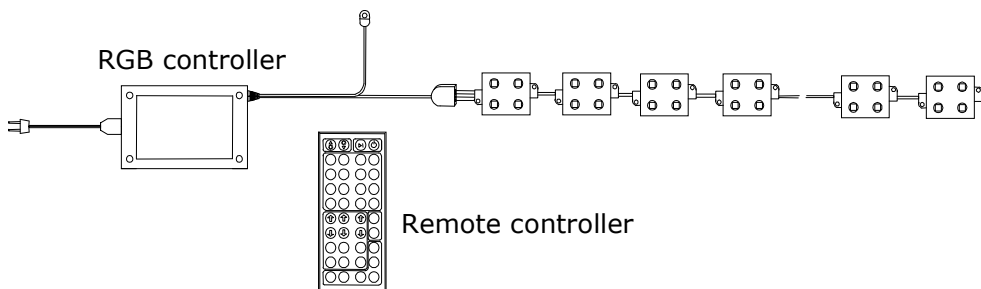
Precaution: Switch off power before doing any works.

Attention: Danger of short circuit, add insulating tape to the single ended wires in order to prevent short circuits.

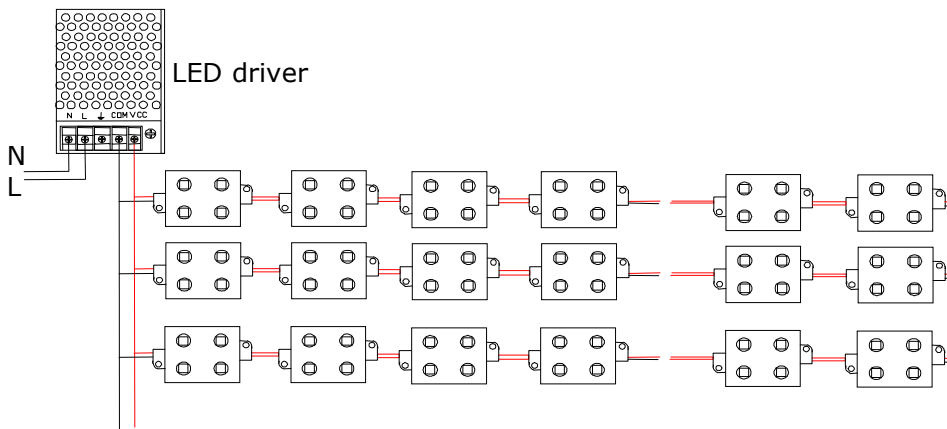
Type 1



Type 2



Type 3



Note 6: the wiring drawing is only for showing the connection of the modules.

LED MODULES LARGE BEAMANGLE SERIES PRODUCT SERIES DATASHEET



SAFETY

1. **Always** consult a qualified, licensed electrician prior to the installation of this product.
2. **Always** ensure that all components are joined properly before they are installed.
3. LED Modules are all low voltage adapted; transformer should be fixed within 10meter of led modules.
4. LED modules are all low voltage adopted, led modules have positive and negative poles and they should be correctly connected in lines.
5. Exceeding the operating temperature values may damage LED chips by reducing the total lamp life and lumen output, and inversely impact color consistency.
6. Avoid voltage drops by using a dedicated line for each maximum power consumption line.
7. Please keep good air ventilation for the lamps or the lifespan will be affect.
8. Each positive pole connected to a positive pole and each negative pole connected to a negative pole, if not, the modules will not light up properly.
9. Check the poles and try again.
10. Keep the surface of plastic letter and light box clean.
11. Ensure everything is connected properly before connecting to the power supply.
12. If any question about the installation, consult a competent electrical technician.

OTHER 88Light PRODUCTS:

For more information about 88Light products, or to use our online energy saving calculation software please visit our website

www.88light.com

DISCLAIMER:

88Light reserves the right to modify the design of our products as part of the company's program of continuous improvement. 88Light cannot guarantee to match existing installed product for subsequent orders or replace the product exactly to match the product you are replacing in product appearance, color, or brightness. Specifications are subject to change without notice.